

FRONT AIR SPRING ASSEMBLY

Removal



WARNING: The air suspension system is under pressure (up to 10 bar, or 150 lbf/in²). Do not allow dirt or grease to enter the system. Always wear standard protective hand, ear, and eye protection when servicing the air suspension system.



WARNING: Do not inflate the air spring assembly unless it is supported on both ends by the vehicle frame and suspension system. An unrestricted or unsupported air spring could cause serious injury and damage to the air spring assembly. **DO NOT DISASSEMBLE THE AIR SPRING!**

1. Raise the vehicle on a hoist or other adequate structure. **WARNING: Always support the vehicle on safety stands. Refer to your owner's manual for correct lifting instructions.**
2. Remove front wheel arch liner.
3. Support the chassis from under front cross member.
4. Depressurize the air spring by removing the hose.
5. Clean surrounding area and seal off hose and spring.
6. Remove top clips securing air spring to chassis.
7. Remove the lower bolt securing air spring retaining pin to axle bracket. Remove the retaining pin.
8. Raise chassis on jack for clearance, and remove the old air spring assembly.



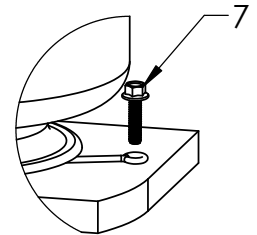
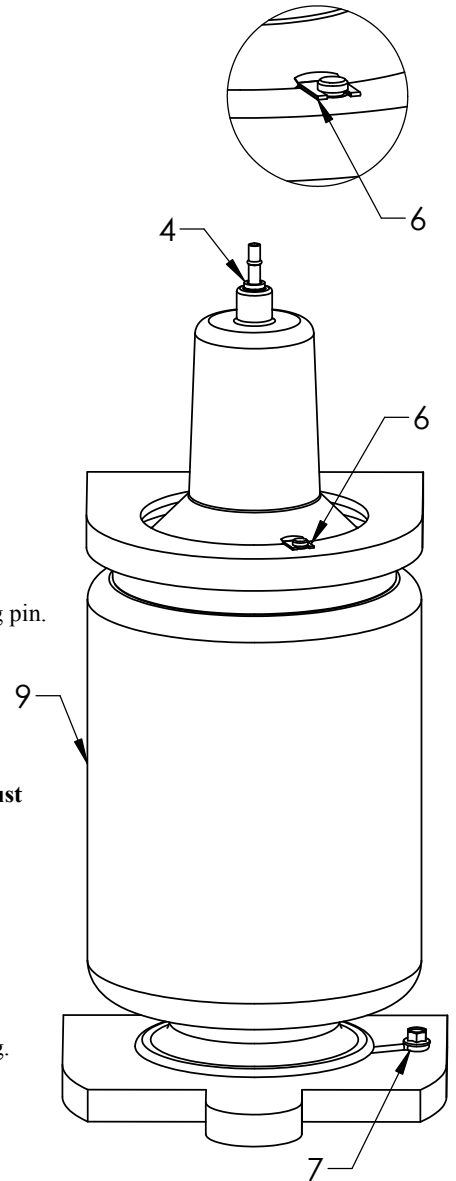
WARNING: Support chassis on safety stands. When refitting the new air spring, do not allow the vehicle to rest on the deflated air spring. The chassis must be supported until the new air spring is inflated.

Refitting

11. Refit air spring to the front axle, fit retaining pin and secure pin with the bolt.
12. Remove the support from under chassis and lower chassis onto the top of the air spring. Resupport chassis on safety stands. Fit the clip to secure the top of the air spring to chassis.
13. Remove seals from air spring and air hose. Clean hose and reconnect it to the new air spring.
14. Fit wheel arch liner.
15. Remove all safety stands and lower vehicle.
16. Perform a leak test on the air spring and connector with a soapy water solution.



WARNING: Make sure to tighten all wheel hub bolt nuts to 115-142 Nm (85-105 lb/ft).



			DIMENSIONS ARE IN INCHES TOLERANCES: FRACTIONAL ± ANGULAR: MACH ± BEND ± TWO PLACE DECIMAL ± THREE PLACE DECIMAL ±	NAME	DATE	<p style="text-align: center;">RANGE ROVER FRONT AIR SPRING</p>	
				DRAWN	RLS 05/31/06		
				CHECKED			
				ENG APPR.			
<p>PROPRIETARY AND CONFIDENTIAL THE INFORMATION CONTAINED IN THIS DRAWING IS THE SOLE PROPERTY OF ARNOTT, INC. ANY REPRODUCTION IN PART OR AS A WHOLE WITHOUT THE WRITTEN PERMISSION OF ARNOTT, INC. IS PROHIBITED.</p>			MATERIAL	MFG APPR.		<p style="text-align: center;">FRONT-ILLUSTRATION-A</p>	
				Q.A.			
	NEXT ASSY	USED ON	FINISH	COMMENTS:			
	APPLICATION		DO NOT SCALE DRAWING				
				SCALE: 1:4	WEIGHT:	SIZE DWG. NO. A FRONT-ILLUSTRATION-A REV. 0 SHEET 1 OF 1	