



Congratulations on your purchase of an Arnott air suspension product. We at Arnott Incorporated are proud to offer a high quality product at the industry's most competitive pricing. Thank you for your confidence in us and our product.

Proper installation is essential to experience and appreciate the benefits of this system. Please take a moment to review these installation instructions before you begin to install these components on your vehicle.

It is equally important to be aware of all necessary safety measures while installing your new Air Ride System. This includes proper lifting and immobilizing of the vehicle and isolation of any stored energy to prevent personal injury or property damage.

“Engineered to Ride, Built to last”



WARNING: *The air suspension system is under pressure (up to 10 bar, or 150 lbf/in) verify pressure has been relieved and disconnect power to the air ride system prior to disassembly. Do not allow dirt or grease to enter the system. Always wear standard protective hand, ear, and eye protection when servicing the air suspension system.*

Kit contains:

PARTS LIST		
P/N	QTY	DESCRIPTION
21-3689	1	AIR SPRING ASSEMBLY (SINGLE A-2575)
21-5007	1	ACCESSORY KIT (A-2575/A-2587)

Addition hardware needed that is **not** included - 8" Tie Wrap



General information:

**Avoid damage to air lines and cables.*

**Removal and installation is only to be performed by fully qualified personnel.*

**Use car manufacturer's diagnostic software.*

**CAUTION: Damage to the vehicle and shock assembly can be incurred if work is carried out in a manner other than specified in the instructions or in a different sequence.*

FRONT AIR SHOCK REMOVAL:



The ignition must remain switched off during the shock removal and replacement.

- 1.0 Set steering to straight ahead.
- 2.0 Locate and remove the air compressor fuse (Figure A).

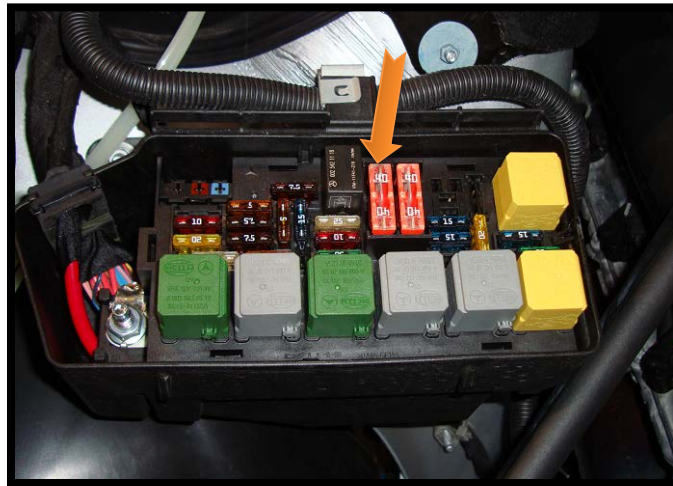


Figure A



Use lifting platform (hoist) that is capable of raising the body separately from the wheels, lift body at the lifting points prescribed by the vehicle manufacturer.

Vehicle slippage can cause danger to life and limb.

- 3.0 Raise vehicle.
- 4.0 Remove front tire.
- 5.0 Disconnect the air shock ADS control cable connector (located in the fender well).



6.0 Disconnect the sway bar arm linkage (Figure B).



Figure B

7.0 Remove the lower shock mounting bolt and nut (Figure C).



Figure C



8.0 Remove the control arm nut and separate from the upper control arm (Figure D).



Figure D

9.0 Remove the wire harness mount from shock (Figure E).

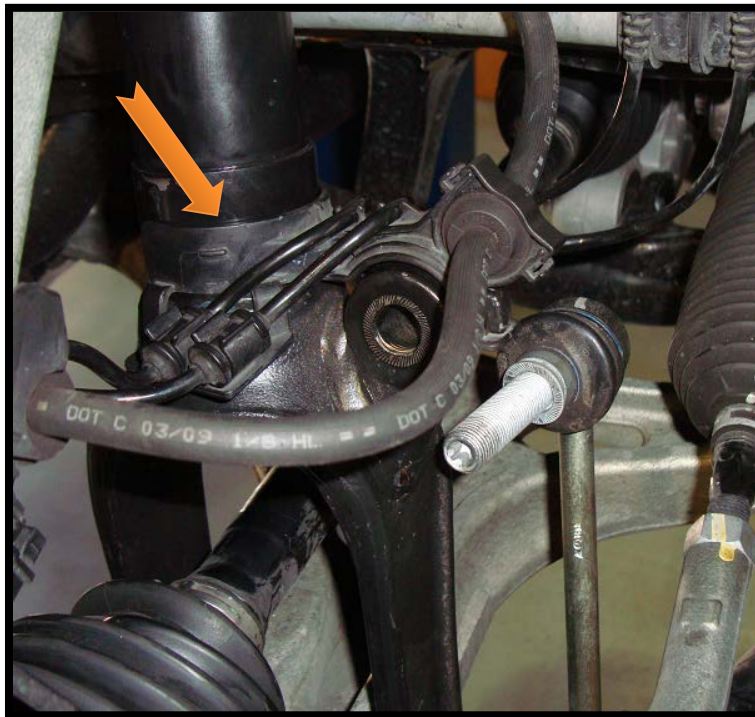


Figure E



10.0 Disconnect the airline (Figure F).

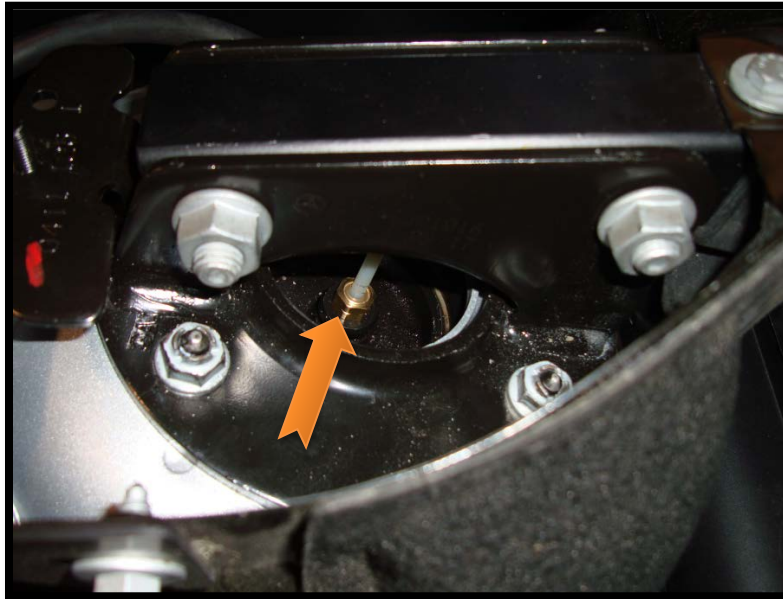


Figure F

11.0 Remove the airline fitting. To do this, remove the collet and the remaining fitting will slide off of the air hose (Figure G).



Figure G



12.0 Remove the three (3) top flange nuts (Figure H).



Figure H

12.0 Remove shock.

13.0 Removal Complete.



AIR SPRING REMOVAL AND INSTALLATION:

- 1.0 Obtain front shock assembly.
- 2.0 Place cap removal tool (37-4923) onto the studs of the top mount of the shock assembly (the bolt of the cap removal tool will rest on the center of the top cap), install the three (3) nuts that mount the shock to the vehicle on top of the cap removal tool (37-4923) (Figure I).



Figure I

- 3.0 Evenly tighten the three (3) nuts until the top cap moves downward (this will allow the retaining ring to be removed) (Figure J).

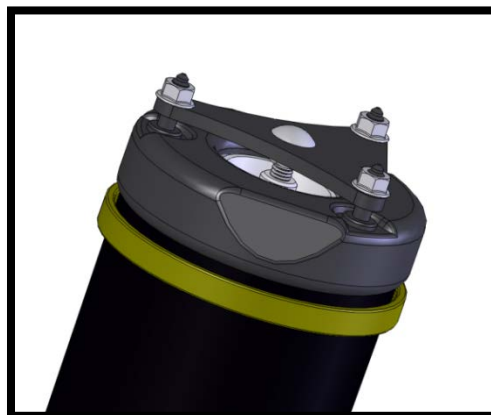


Figure J



- 4.0 With the top cap pushed down, use a small flat tip screw driver to remove the retaining ring (Figure K).

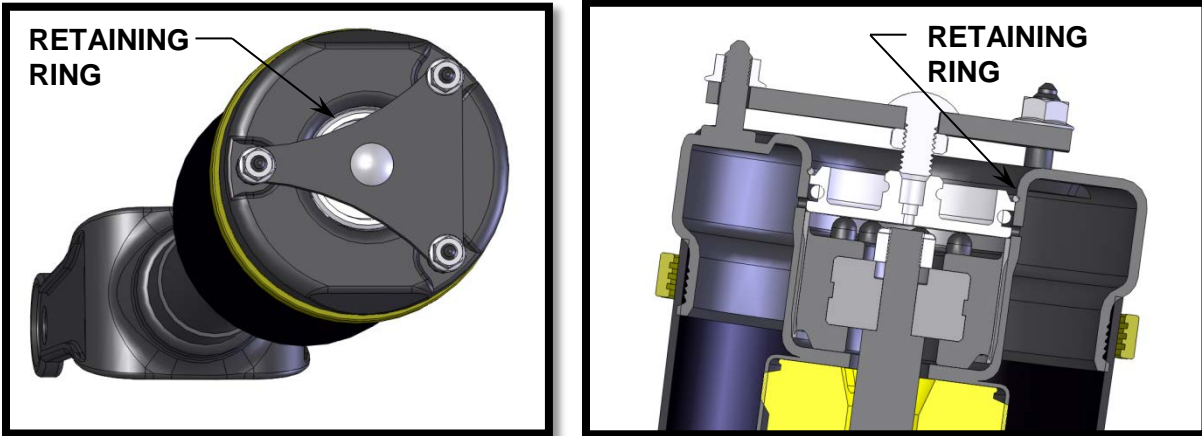


Figure K

- 5.0 Remove the cap removal tool (37-4923).
- 6.0 Using a pair of locking pliers remove the top cap (Figure L).
- 7.0 Remove the nut holding the air spring assembly to the shock (Figure M).

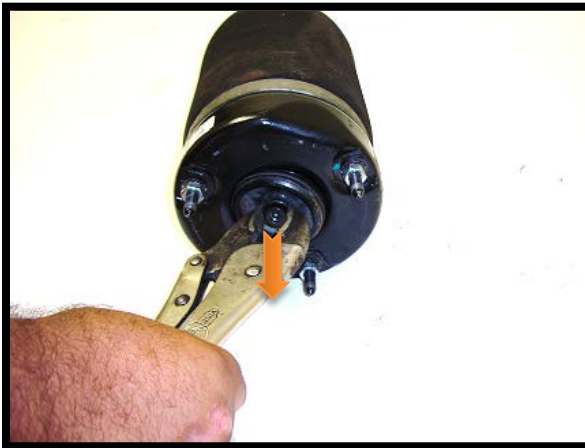


Figure L



Figure M



- 8.0 Remove the old air spring and O-rings, discard. Wipe down area where the new air spring will be installed (Figure N).

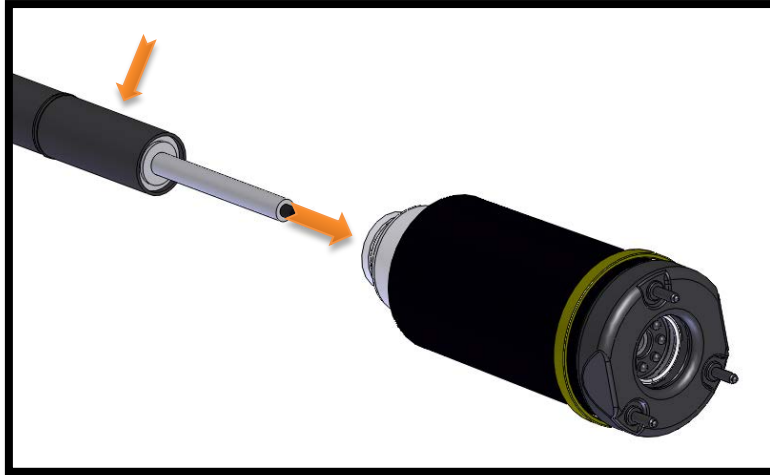


Figure N

- 9.0 Install shock cap into place on the shock. Tap lightly with a hammer to fully seat the cap. (Figure O).

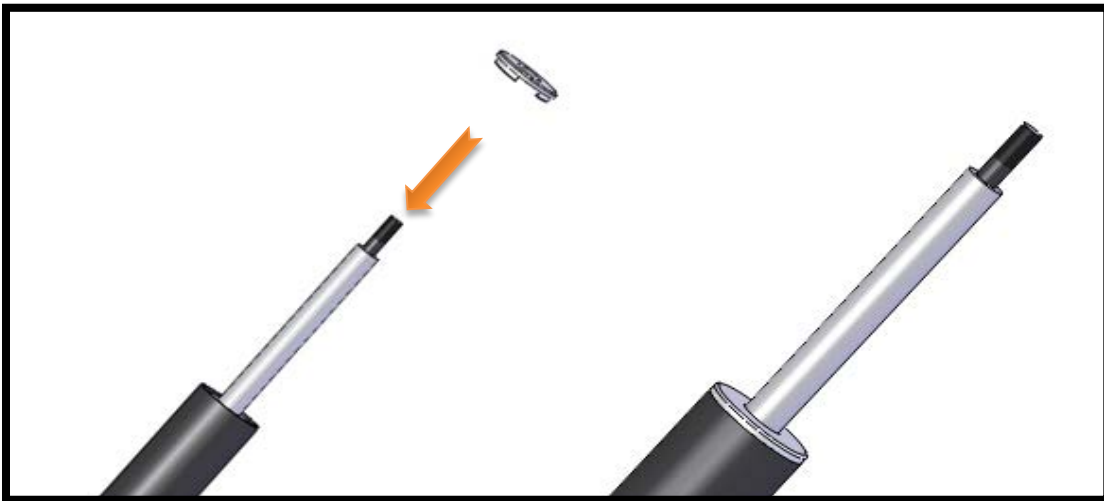


Figure O



- 10.0 Obtain the new air spring, apply a lubricant to the O-rings located in the bottom of the air spring, install onto the shock (Figure P).

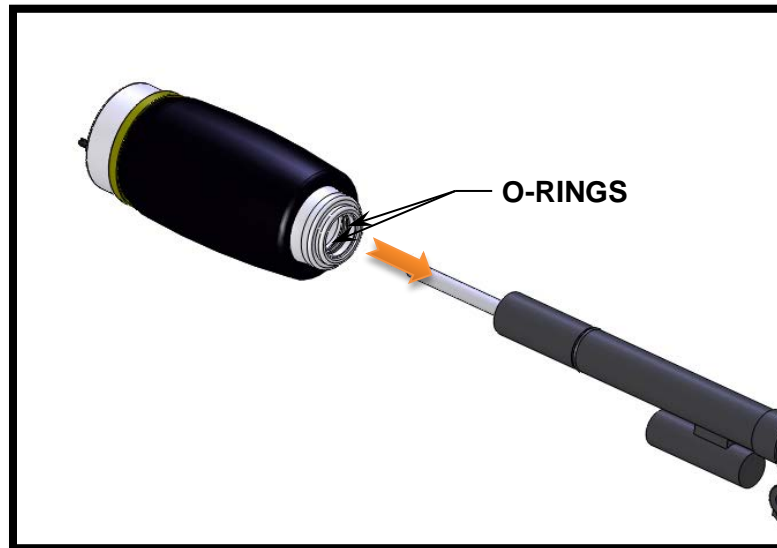


Figure P

- 11.0 Install locknut onto shaft of the shock and tighten to manufacturers specifications (Figure Q).

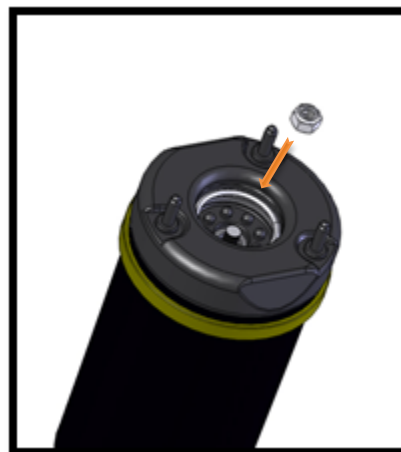


Figure Q



- 12.0 With the nut secured properly, lubricate the O-ring before inserting the supplied cap.
(Figure R)



Figure R

- 13.0 Place the clip on top of the cap before reinstalling the supplied tool. (Figure S)

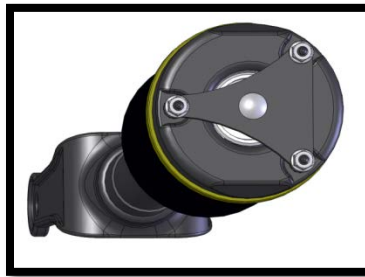


Figure S

- 14.0 Proceed to tighten the three nuts until the cap is pressed far enough inside of the air spring to securely seat the retaining clip. Remove tool. (Figure T).

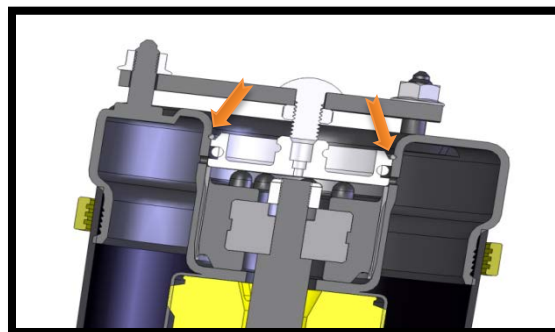


Figure T



- 15.0 Air sleeve/shock assembly complete.
- 16.0 Reverse steps for re-installation into vehicle.
- 17.0 Remove white shipping pin from new voss fitting. (Figure U)



FIGURE U

- 18.0 Install air line into new voss fitting. Be sure to firmly seat the air line into the new fitting. (Figure V)



FIGURE V

- 19.0 Re-install the air compressor fuse.
- 20.0 Lower vehicle to standard vehicle height from the lifting platform.
- 21.0 Start engine, wait 2 minutes, operate the raising function of the cars electronics.
- 20.0 Initially lower lifting platform slowly and only completely when the vehicle rises on its own accord.
- 22.0 Installation complete.